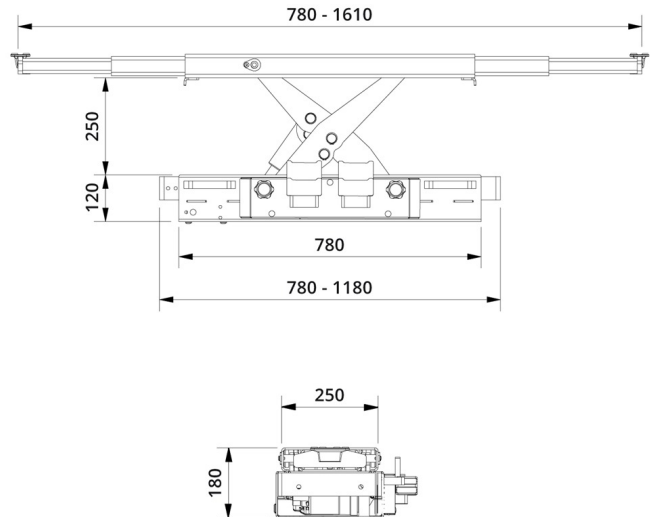


AIR HYDRAULIC JACKING BEAM SD20PHL

AIR HYDRAULIC JACKING BEAM FOR PASSENGER CARS AND VANS

Item number: 6220000

- ✓ Quick and efficient lifting due to reliable and noiseless pump
- ✓ Low closed height of only 180 mm makes it suitable for vehicles with a low clearance
- ✓ Flexible top support beam can be extended up to 1610 mm
- ✓ Two-hand lowering operation with dead man's release, automatic safety locking device and overload valve for optimum safety



Capacity:	2,0 t
Stroke:	250 mm
Min height:	180 mm
Width without mounting brackets:	780 - 1180 mm
Lifting frame height:	120 mm
Lifting frame depth:	250 mm
Air supply:	8 - 10 bar
Air consumption:	400 - 700 l/min
Weight:	110 kg

AIR HYDRAULIC JACKING BEAM

ACCESSORIES SD20PHL:

GS1

Rubber cushion for protection of car body



Item number: 3601400

HSD

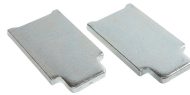
Air-line connection



Item number: 6232500

FSD1

Extension



Item number: 6212500

FSD2

Rubber support



Item number: 0298900

FSD3

Rubber support



Item number: 0299000

FSD4

Extension



Item number: 6212600

FSD5

Saddle with spindle



Item number: 6223700

FSD6

Adjustable saddle



Item number: 6214300

AIR HYDRAULIC JACKING BEAM

ACCESSORIES SD20PHL:

FSD7

Extension



Item number: 6214100

GS2

Rubber cushion



Item number: 6217200