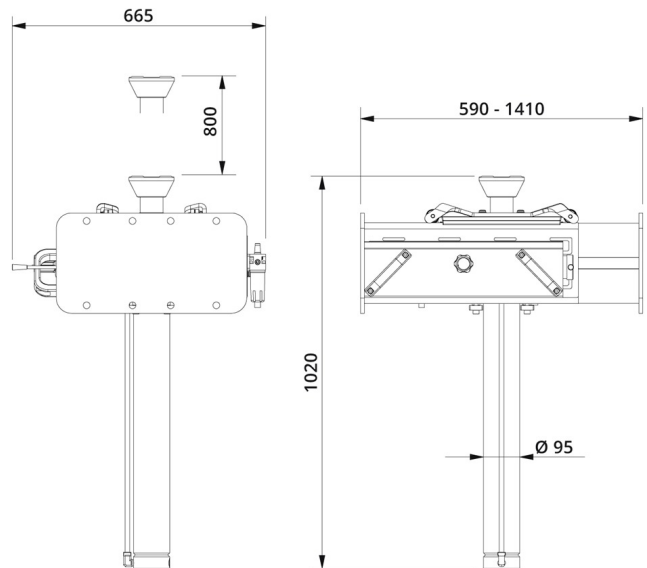


# PIT JACK GD-1

## STANDARD AIR HYDRAULIC SINGLE RAM PIT JACK

Item number: GD-1

- ✓ Rapid and precise air hydraulic unit with high speed ram travel
- ✓ Simple modern design with control panel at ergonomical working height
- ✓ Can be made to fit all pits due to its adjustable frame



<b>Capacity:</b>	10 / 15 / 20 t
<b>Stroke:</b>	800 mm
<b>Min height:</b>	1020 mm
<b>Max height:</b>	1820 mm
<b>Depth:</b>	665 mm
<b>Cylinder diameter:</b>	60 mm
<b>Air supply:</b>	8 - 10 bar
<b>Weight:</b>	220 kg

# PIT JACK

---

## ACCESSORIES GD-1:

### AB

Support bridge



Item number: 5867010

### ABT

Telescopic support bridge



Item number: 5867500

### S200

Integrated safety stand



Item number: 5866900

### AS3

Gearbox saddle



Item number: 5900500

### T4-1

Cross beam adaptor



Item number: 5866500

### T5-1

Flexible and adjustable cross beam adaptor



Item number: 5866700

### T6-1

Innovative cross beam adaptor



Item number: 5866050

### FW2-90

V-saddle




Item number: 9112700

# PIT JACK

## ACCESSORIES GD-1:

**FW2-130**  
V-saddle



Item number: 9112710

**US-100**  
U-saddle




Item number: 9113210

**US-130**  
U-saddle




Item number: 9113240

**VB1**  
Wall bracket




Item number: 5866340

**VB2**  
Wall bracket




Item number: 5866380

**GR**  
Handle



Item number: 5863400

**HSD-F**  
Front air connection kit



Item number: 5863410