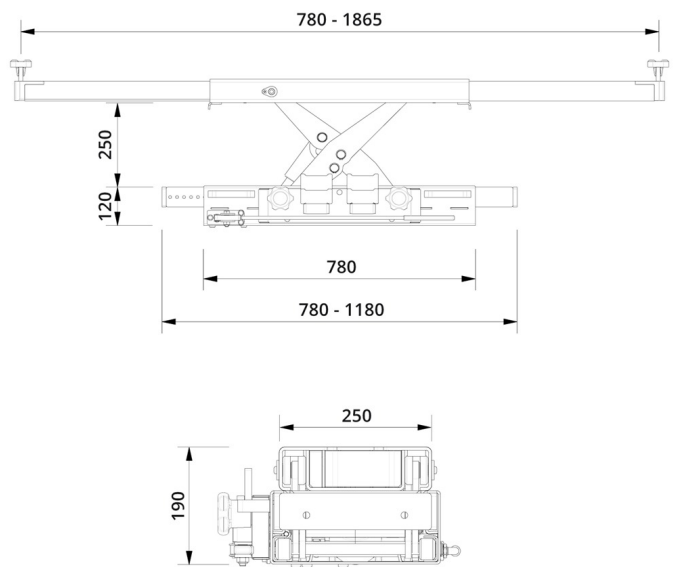


AIR HYDRAULIC JACKING BEAM - WIDE SD20PHL-W

WIDEST JACKING BEAM IN THE WORLD

Item number: 6240300

- ✓ Flexible top support beam can be extended up to 1865 mm
- ✓ Closed height of only 190 mm optimal for vehicles with a low clearance
- ✓ Quick and reliable lifting due to the faster and more efficient pump
- ✓ Unique height adjustable mounting bracket system to fit any lift
- ✓ Two-hand lowering operation with dead man's release
- ✓ Supplied with 3 extension sets (10/45/90 mm) and rubber cushion for protection of car body



Capacity:	2.0 t
Stroke:	250 mm
Min height:	190 mm
Width without mounting brackets:	780 - 1180 mm
Lifting frame height:	120 mm
Lifting frame depth:	250 mm
Air supply:	8 - 10 bar
Air consumption:	400 - 700 l/min
Weight:	120 kg

AIR HYDRAULIC JACKING BEAM - WIDE

ACCESSORIES SD20PHL-W:

GS1

Rubber cushion for protection of car body



Item number: 3601400

HSD

Air-line connection



Item number: 6232500

FSD1

Extension



Item number: 6212500

FSD2

Rubber support



Item number: 0298900

FSD3

Rubber support



Item number: 0299000

FSD4

Extension



Item number: 6212600

FSD6

Adjustable saddle



Item number: 6214300

FSD7

Extension



Item number: 6214100

AIR HYDRAULIC JACKING BEAM - WIDE

ACCESSORIES SD20PHL-W:

GS2

Rubber cushion



Item number: 6217200

FSD5

Saddle with spindle



Item number: 6223700